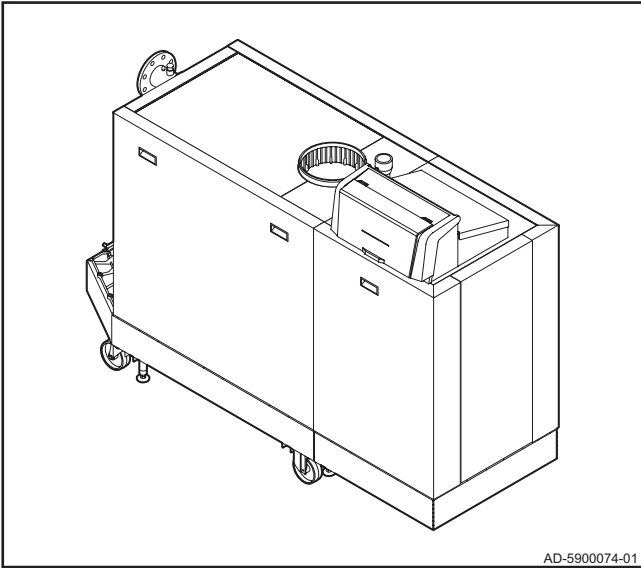


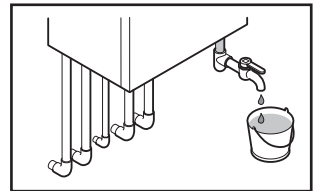
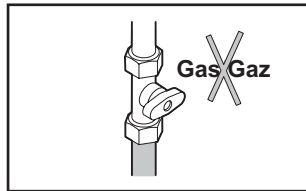
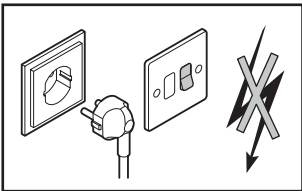
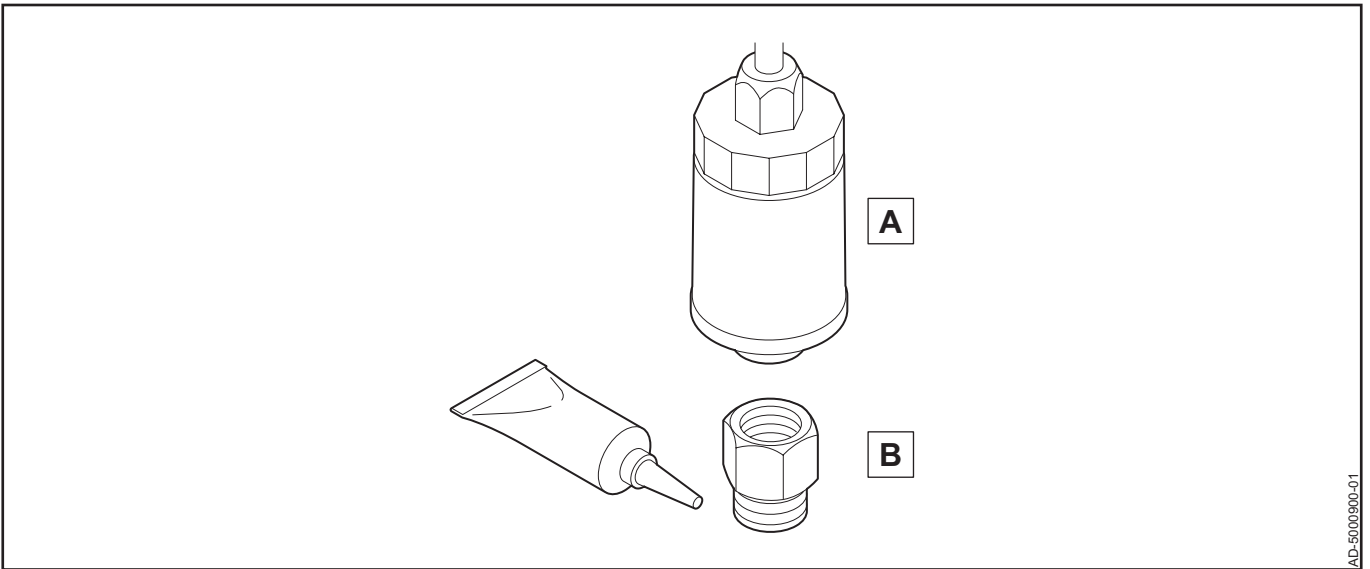
AD-500899-01

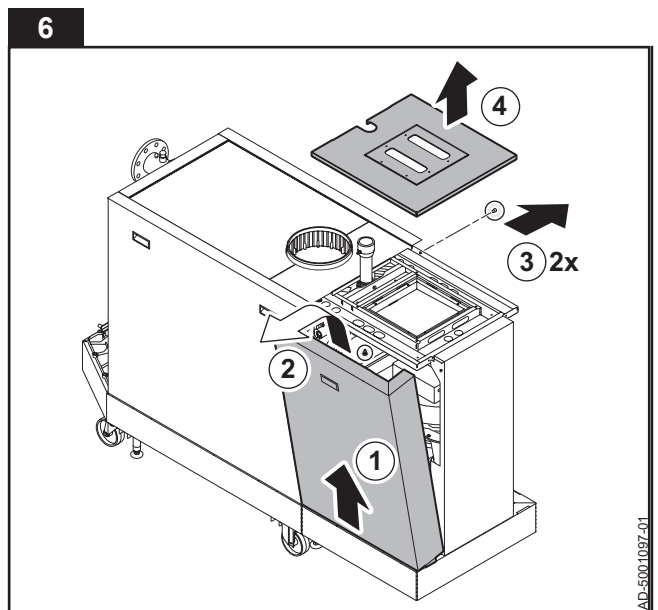
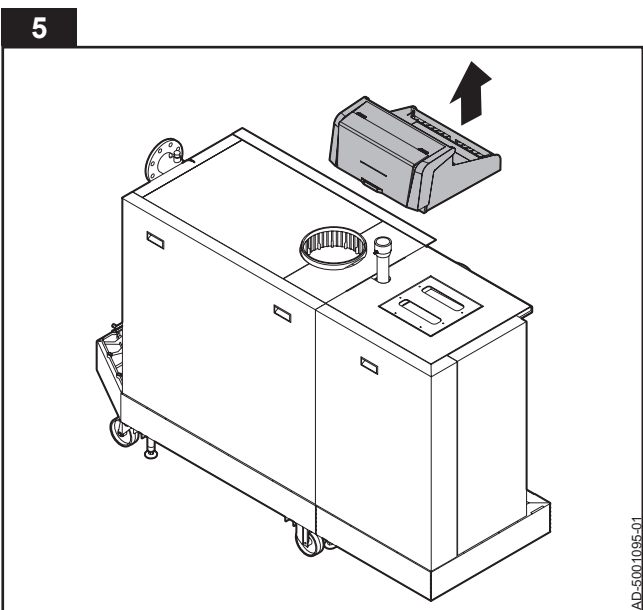
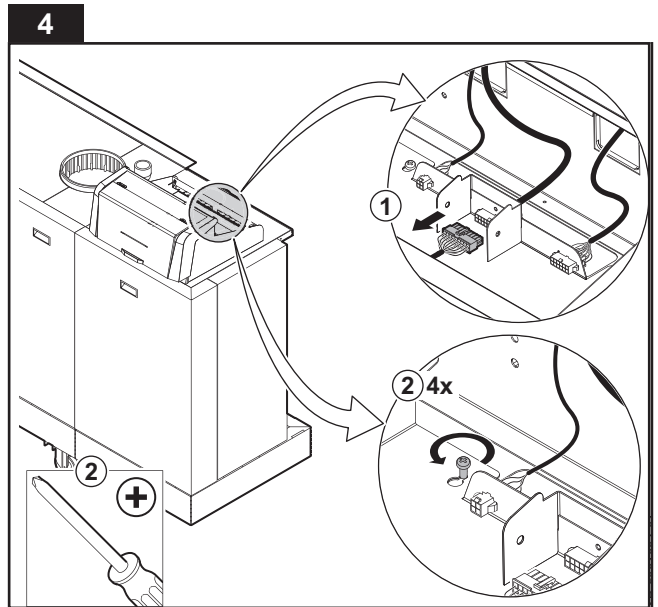
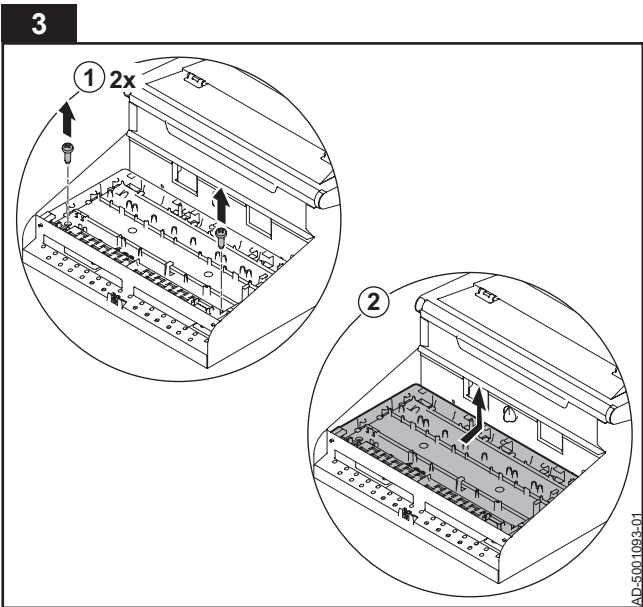
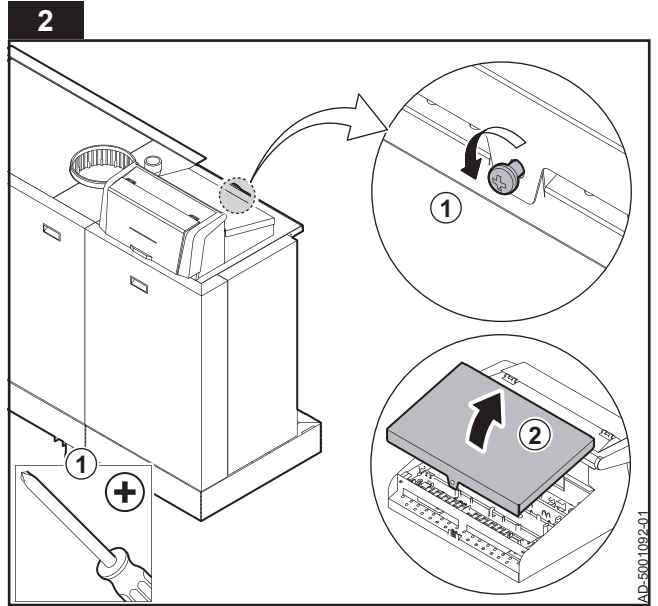
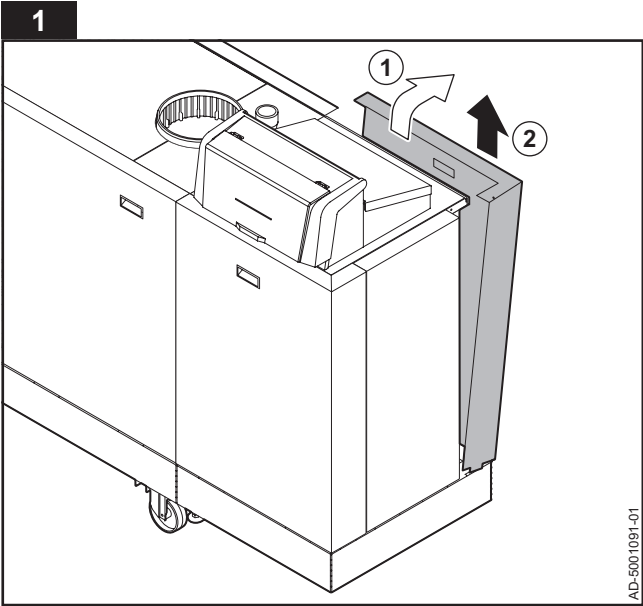
Montage instructie
Assembly instructions
Instructions de montage
Montageanweisung
Instrucciones para el montaje
Istruzioni di montaggio

Waterdruksensor
Water pressure sensor
Capteur de pression d'eau
Wasserdrucksensor
Captador de presión de agua
Sensore di pressione dell'acqua

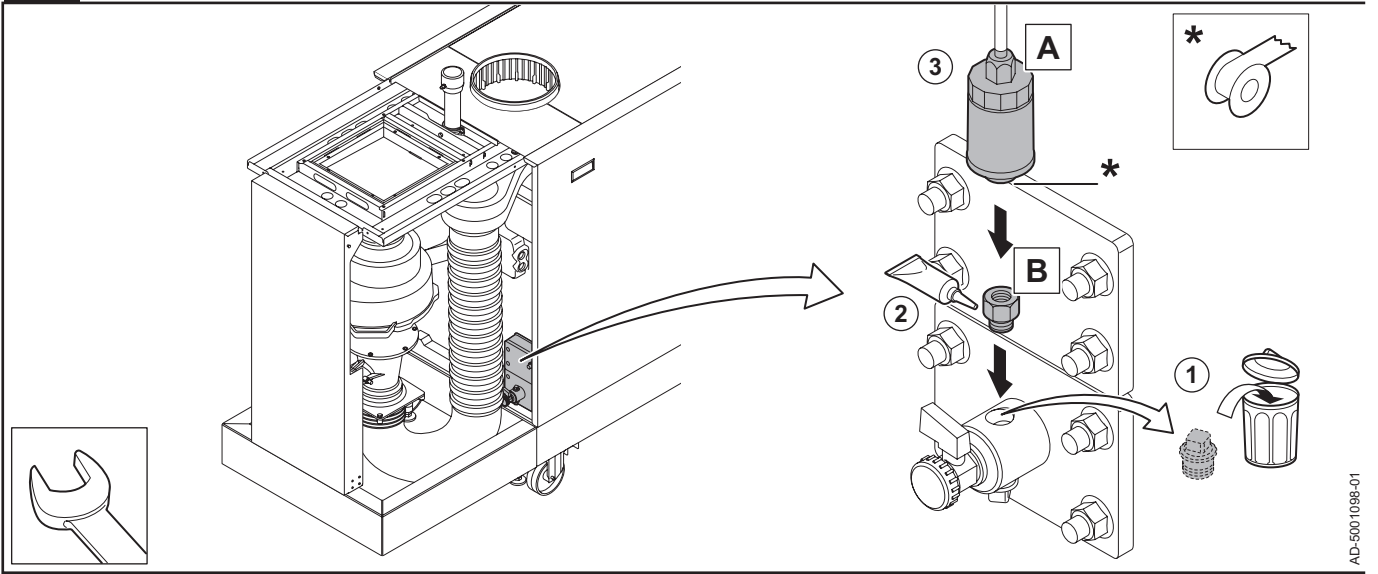


Inhoud verpakking - Set contents - Contenu du kit
Inhalt des Bauatzes - Contenido del paquete - Contenuti del pacchetto



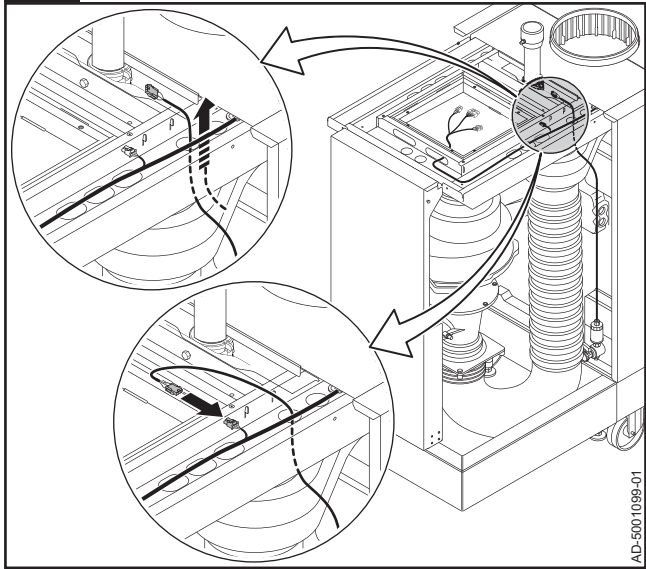


7



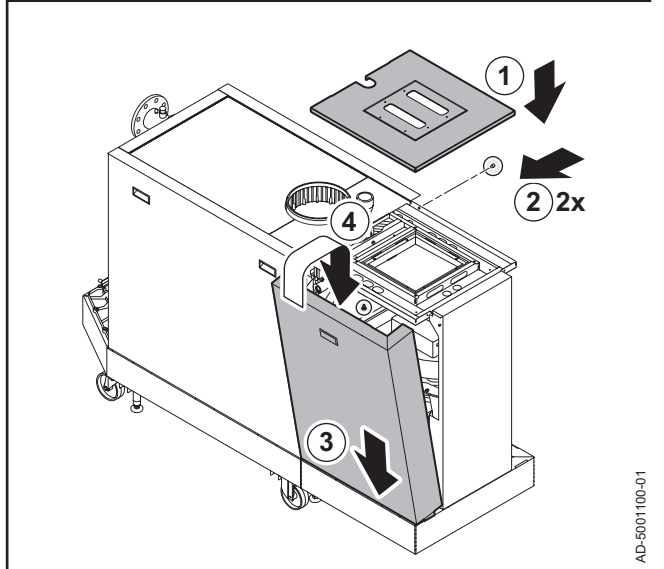
AD-5001098-01

8



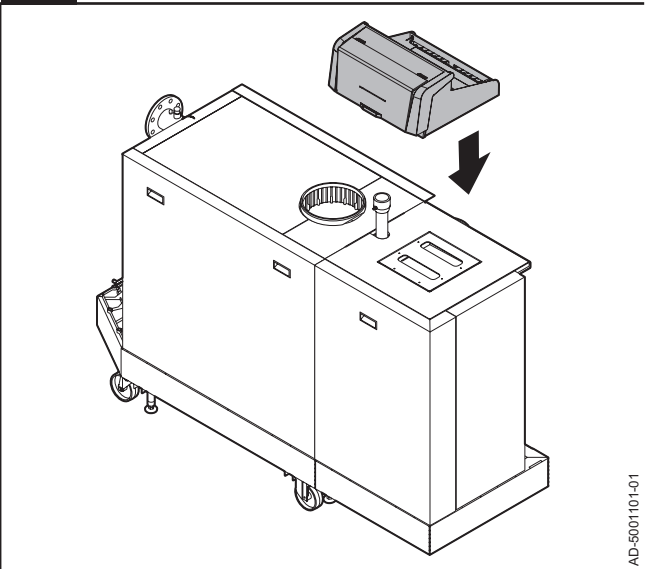
AD-5001098-01

9



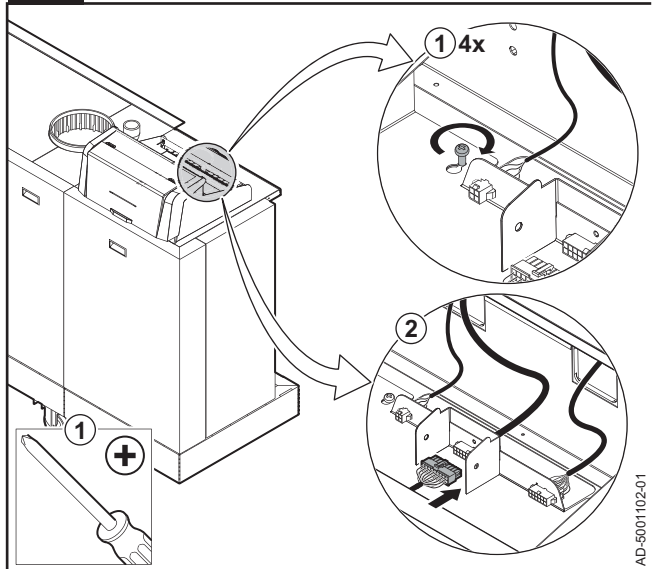
AD-5001100-01

10



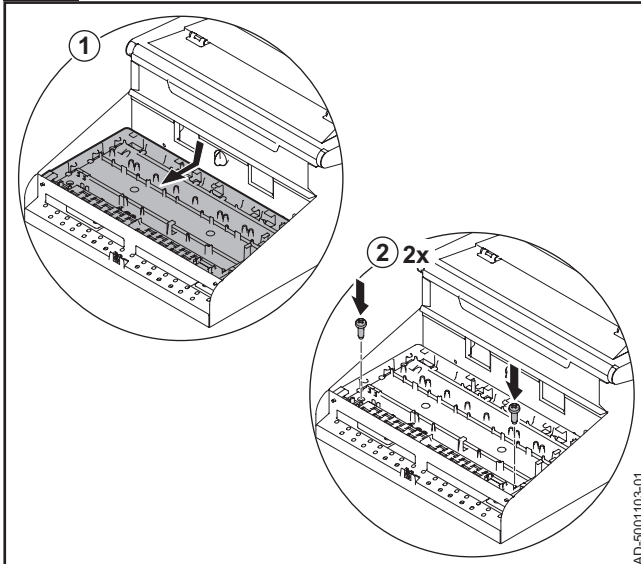
AD-5001101-01

11



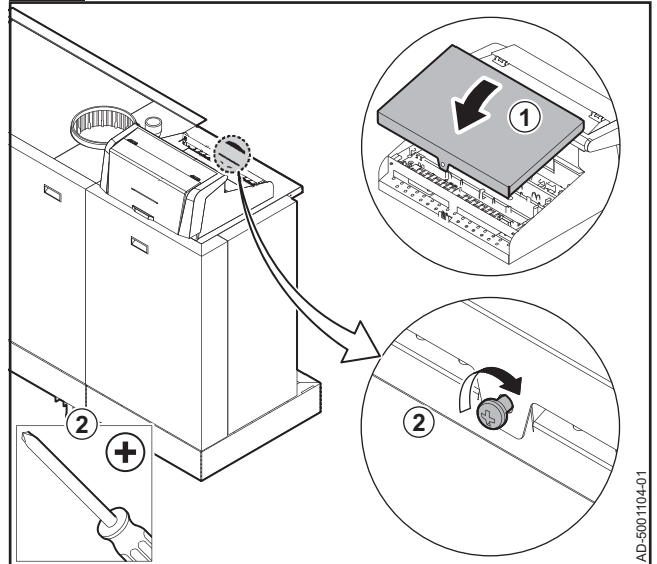
AD-5001102-01

12



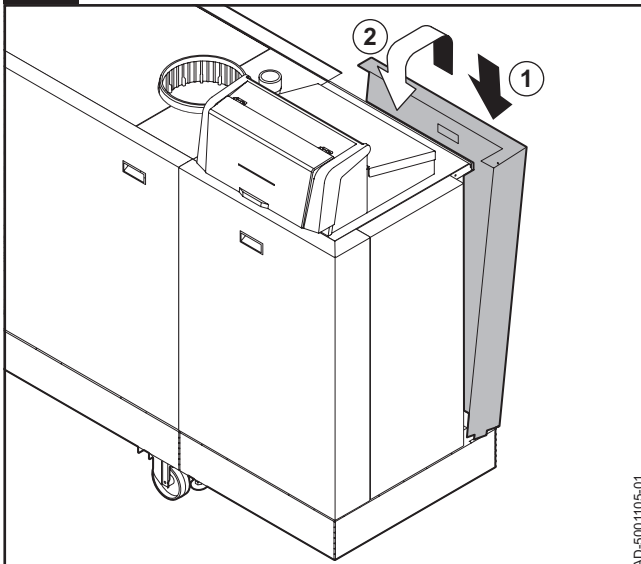
AD-5001103-01

13

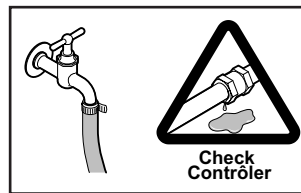
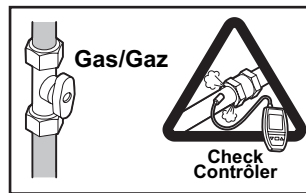
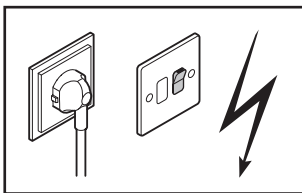


AD-5001104-01

14



AD-5001105-01



Controleer de instelling van de parameters, zie de installatie- en servicehandleiding van de ketel.
 Check the parameter settings, refer to the installation and service manual of the boiler.
 Contrôler le réglage des paramètres, se reporter à la notice d'installation et d'entretien de la chaudière.

Einstellung der Parameter prüfen, siehe Installations- und Wartungsanleitung des Heizkessels.
 Comprobar el ajuste de los parámetros, consultar las instrucciones de instalación y mantenimiento de la caldera.

Controllare la regolazione dei parametri, fare riferimento alle istruzioni di installazione e di manutenzione della caldaia.

Paradigma Italia
Via C. Maffei, 3
38089 Darzo (TN)
Tel. +39-0465-684701
info@paradigmaitalia.it
www.paradigmaitalia.it



© **Copyright**

All technical and technological information contained in these technical instructions, as well as any drawings and technical descriptions supplied, remain our property and shall not be multiplied without our prior consent in writing.

Ours is a policy of continuous development. We reserve the right to alter specifications without prior notification.
Subject to alterations.

